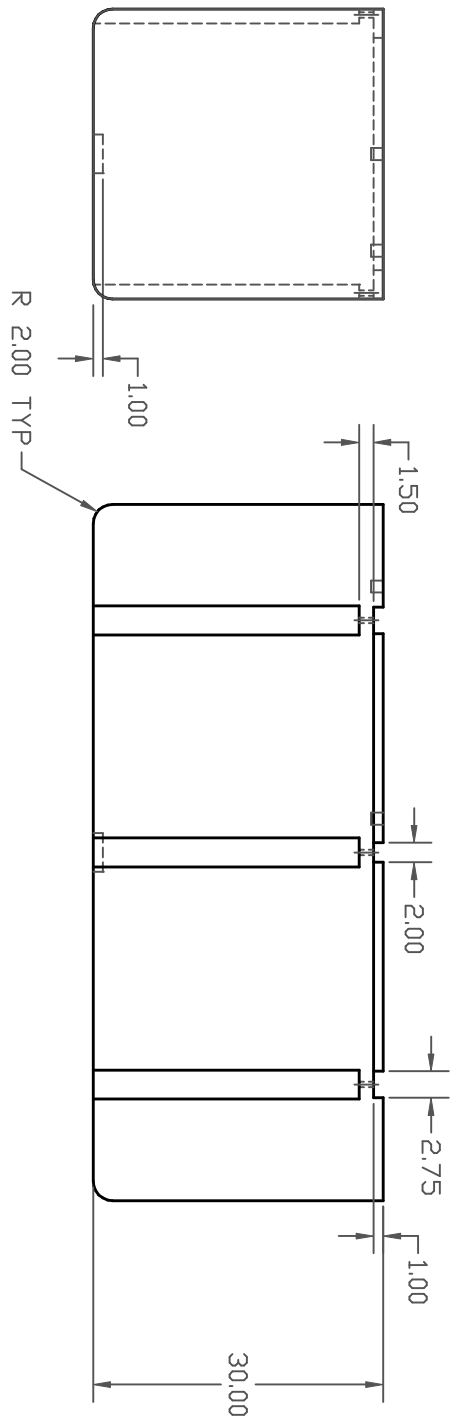
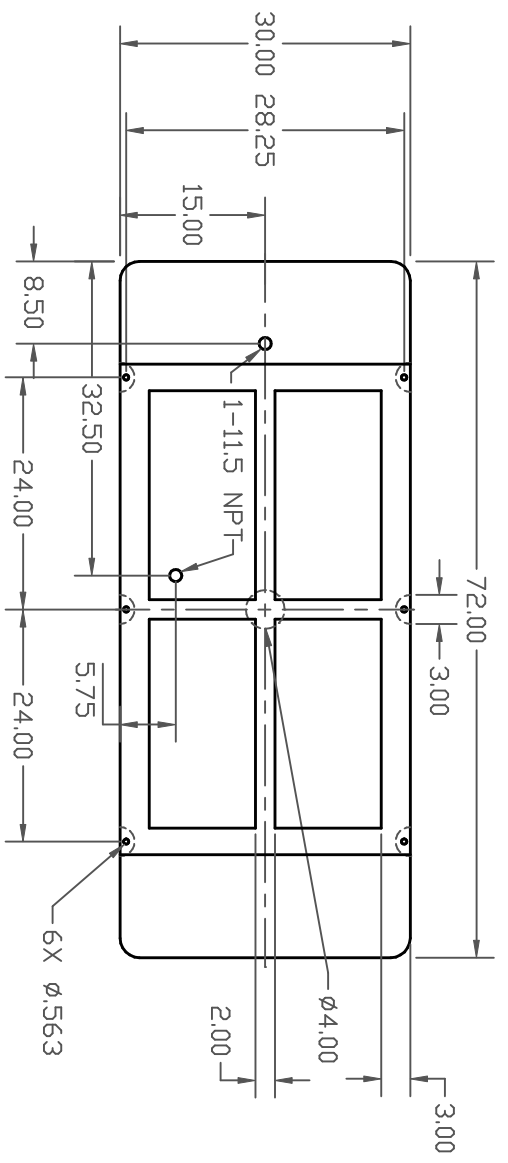


© DEN HARTOG INDUSTRIES, INC.

Copyright: All information furnished within this document, electronic file or design correspondence is the property of Den Hartog Industries Inc. and shall not be used, disclosed to others or copied without the expressed written consent of Den Hartog Industries, Inc.

AT 3030-72SQ

B



REV	DESCRIPTION	DATE	APPRD.
B	ADD WEIGHT, BUDY.	8/27/03	DHJ
A	CHANGE TOP PROFILE	2/17/03	

DRAWN / DATE	MATERIAL / SHOT WEIGHT
DHJ 12/31/02	104 LBS. BLACK POLYETHYLENE

**Ace Roto-Mold**  
A DIVISION OF DEN HARTOG INDUSTRIES, INC.

CLIENT / DESCRIPTION: ACE AIR TANK

REV	DESCRIPTION	DATE	APPRD.
B	ADD WEIGHT, BUDY.	8/27/03	DHJ
A	CHANGE TOP PROFILE	2/17/03	

THIRD ANGLE PROJECTION	NOTES:
ANSI 14.5M	APPROXIMATE BUDYANCY 2100 LBS.

SCALE	PART NO.
NONE	AT 3030-72SQ

ALL DIMENSIONS ARE IN DECIMAL INCHES  
TOLERANCES UNLESS OTHERWISE SPECIFIED  
± 1% @ 68° F