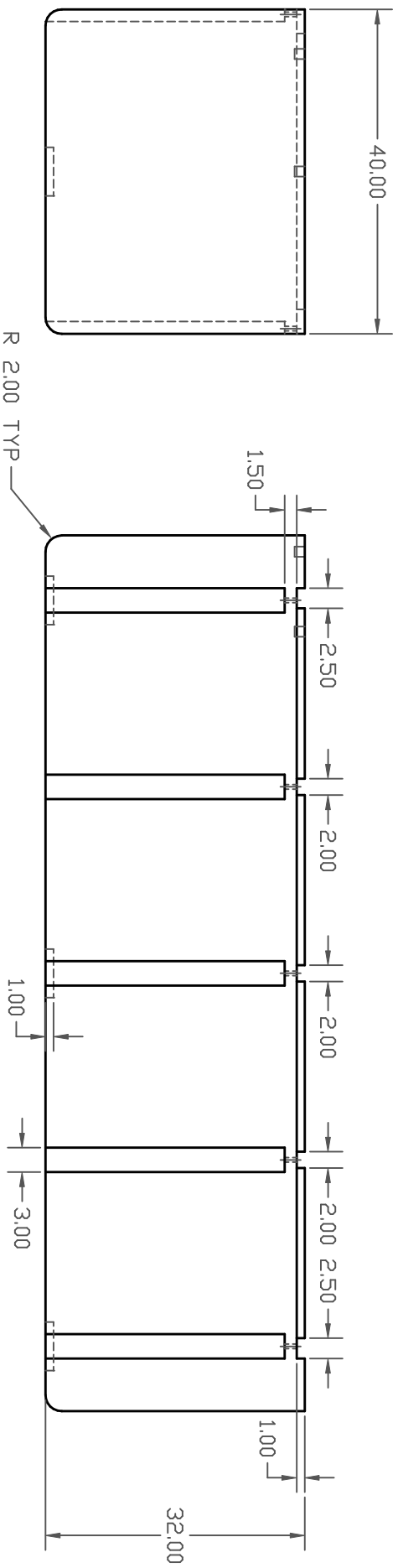
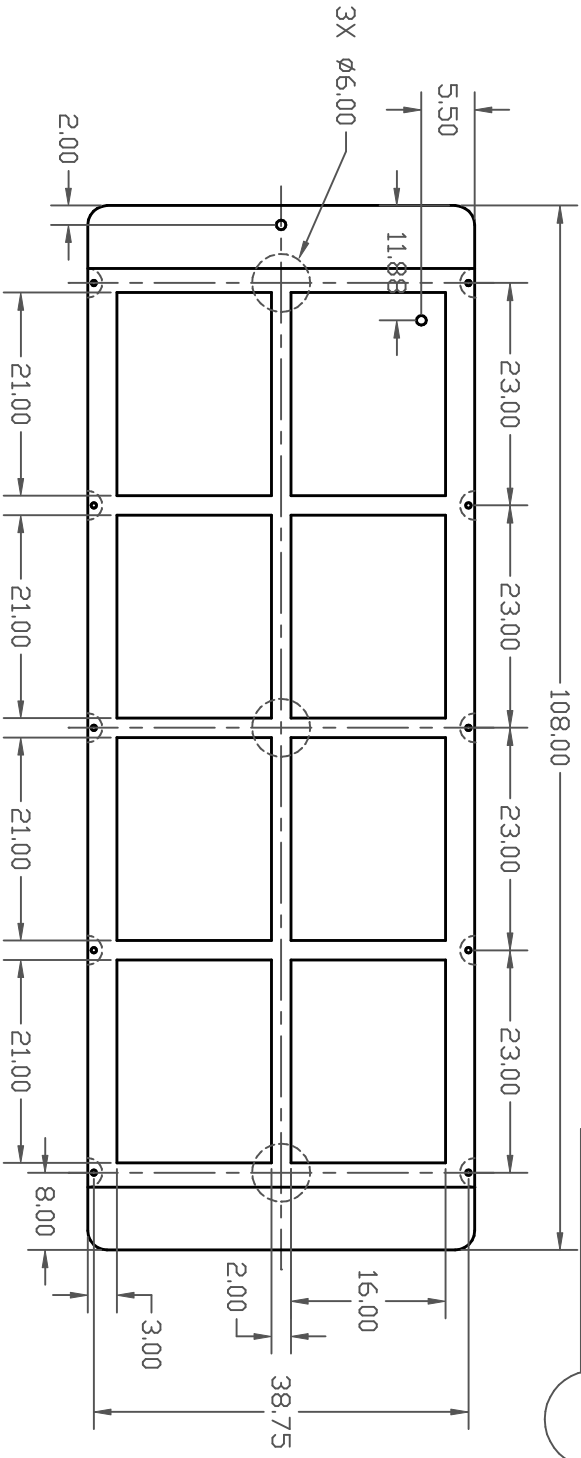



Copyright. All information furnished within this document, electronic file or design correspondence is the property of Den Hartog Industries Inc. and shall not be used, disclosed to others or copied without the expressed written consent of Den Hartog Industries, Inc.



DRAWN / DATE DHJ / 3/13/03		MATERIAL / SHOT WEIGHT BLACK 230LBS. .375 WALL		 <p><b>Ace Roto-Mold</b> A DIVISION OF DEN HARTOG INDUSTRIES, INC.</p>	
APPRD. / DATE		NOTES: APPROXIMATE BUDDYANCY 4500 LBS.			
REV	DESCRIPTION	DATE	APPRD.	THIRD ANGLE PROJECTION ANSI 14.5M	CLIENT / DESCRIPTION ACE BOAT LIFT AIR TANK
A	ADD BUDDYANCY	8/27/03			SCALE NONE

ALL DIMENSIONS ARE IN DECIMAL INCHES  
TOLERANCES UNLESS OTHERWISE SPECIFIED  
± 1% @ 68° F

PART NO. AT 3240-108SQ