

# SL-B700 Float Collar Buoy

Regulatory and Channel/Navigation Markers

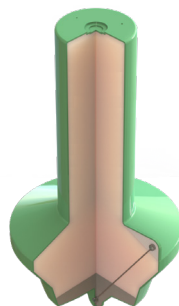
The SL-B700 Buoy is rotationally-molded in one piece from strong, durable UV-stabilized polyethylene and is filled with closed-cell polyurethane. It is available in three different configurations: a red nun and green can navigation buoys, as well as a regulatory style buoy, which meet federal, state, and local requirements. A large mooring attachment point accommodates a 5/8 inch (16mm) shackle or 1/2 inch (12mm) cable.

Sealite's SL-B700 Buoy incorporates stainless steel interconnected mooring and lifting eye (see below) for additional strength while being deployed and retrieved. The top section has three threaded M6 inserts, molded into the buoy to allow easy mounting of the SL-60 Large Base or SL-70 2-3NM Marine Lanterns.

Regulatory signage and custom graphics are available, which will hold up under heavy UV exposure without peeling and fading. Vinyl wraps and decal restoration kits are also available to repurpose older buoys (see back).



**Above:** SL-B700 is available in green can and red nun style for channel marking configurations (shown in region B colors)



**Above:** Structural integrity of SL-B700 is reinforced through the use of an interconnected stainless steel mooring and lifting eye



## Features

- Molded from strong, durable UV-stabilized polyethylene
- Interconnected mooring and lifting eye for additional strength
- Easy mounting of solar marine lanterns
- Regulatory signage available

## Cost Effective

- Low maintenance costs
- Withstand heavy UV exposure - no peeling or fading

## Flexible Configurations

- Channel Markers - Green Can or Red Nun
- Regulatory Buoy - White with Orange Stripes

## Optional

- Mold-in graphics
- Mooring equipment & chains
- Vinyl decal restoration kits and wraps to refurbish or repurpose existing buoys

## Applications

- Navigation channels, harbor approaches and port entrances
- Regulatory marking of hazards, mooring fields, cautionary zones

## Certifications

- Meets U.S. federal, state and local regulations

## Reliable

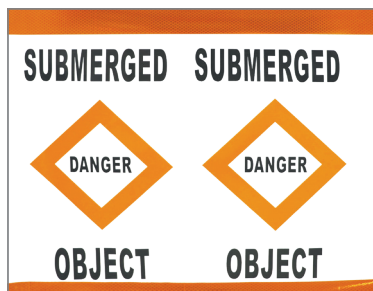
- Excellent buoyancy & stability

## Technical Specifications\*

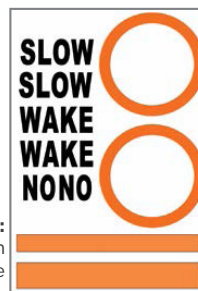
SL-B700 Buoy	
<b>General Characteristics</b>	
Available Colors	Red, Green, White, Yellow, Orange
Nominal Freeboard (in/mm)	43.5 (1105)
Nominal Draft (in/mm)	10.5 (267)
Maximum Mooring Load (lb/kg)	132 (60)
Submergence (lb/in, kg/cm)	21.6 (3.8)
<b>Physical Characteristics</b>	
Material	Rotationally-molded UV-stabilized virgin polyethylene
Wall Thickness (in/mm)	0.25 (7)
Filling	Closed-cell polyurethane foam
Height (in/mm)	54 (1372)
Collar Diameter (in/mm)	28 (700)
Diameter (in/mm)	12 (305)
Net Weight (lb/kg)	95 (43)
Product Life Expectancy	12+ years
<b>Certifications</b>	
Quality Assurance	ISO9001:2015
<b>Intellectual Property</b>	
Trademarks	SEALITE® is a registered trademark of Sealite Pty Ltd
Warranty	1 year
Lantern Options	Sealite SL-15, SL-60 Large Base or SL-70 lantern**
Options Available	<ul style="list-style-type: none"> <li>• Mold-in graphics</li> <li>• Vinyl wraps</li> <li>• Reflective band</li> <li>• Side attachment</li> </ul>

\*\*Three threaded inserts allow direct mounting of the SL-60 Large Base and SL-70 Marine Lanterns onto the SL-B700 Can. The SL-B700 Nun buoy requires a mounting plate (MC-11) for the SL-60 and SL-70. The SL-15 requires self-tapping screws.

Regulatory Wraps & Restoration Kits		
	Vinyl Wrap Kit (Part No.: SL-BWRAP700)	Decal Restoration Kit
Material	Two USCG approved retroreflective orange bands, regulatory black messages, and orange symbols on heavy-duty white vinyl material	Two each: retroreflective orange bands, regulatory black messages, and orange symbols
Options	Custom graphics or logo Silver retroreflective band	Custom graphics or logo Silver retroreflective band



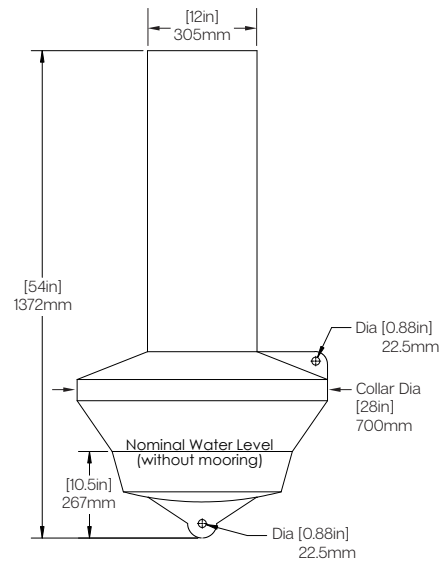
Left:  
Vinyl Wrap Kit  
example



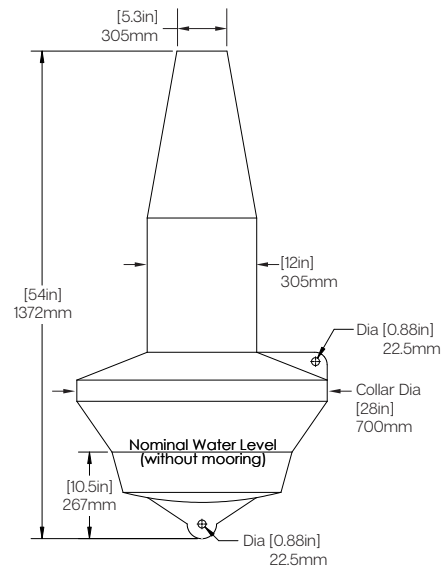
Right:  
Decal Restoration  
Kit example

## Technical Illustration

SL-B700 Can and Regulatory Buoy Dimensions



SL-B700 Nun Buoy Dimensions



CE † Subject to standard terms and conditions.  
\* Specifications subject to change or variation without notice.  
We believe technology improves navigation™

SL-B700\_DATA\_EN\_V2-0