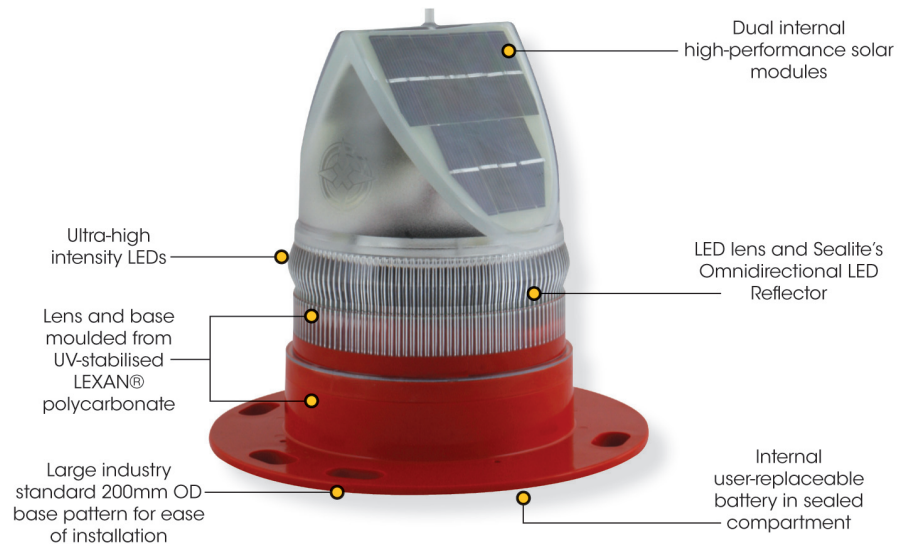


SL70-180-R Solar 180° Bridge Light

P

This equipment complies with requirements of the U.S. Coast Guard in 33 CFR part 66



The Premier Advantage

- Up to 2.5 miles (4.5km) visible range (steady-on)
- Integrated solar/battery system
- Dual internal high-performance solar modules angled to maximize solar collection
- IP68 waterproof rating
- User-replaceable battery
- Ultra-high intensity LEDs (no changing globes ever)

The SL70-180-R solar bridge light offers enormous benefits over traditional battery and hard-wired lights including low maintenance and reliable service.

The unit has two high-performance solar modules mounted within the lens, which maximize solar collection and provide reliable operation in a range of environment conditions.

The focal plane of the light is designed to provide a vertical distribution of 9 degrees, and the user-replaceable battery ensures a service life of up to 12 years.

The SL70-180-R is made from tough, durable UV stabilized LEXAN® polycarbonate, and incorporates an internal photodiode for automatic night activation once the ambient light threshold drops sufficiently.

Completely self-contained and able to be installed in minutes, the SL70-180-R is the preferred choice of bridge maintenance companies throughout America.



Manufactured by Sealite

Premier Materials Technology, Inc. is a recognized industry leader in the marine industry delivering the highest quality marine, environmental friendly products since 1992.

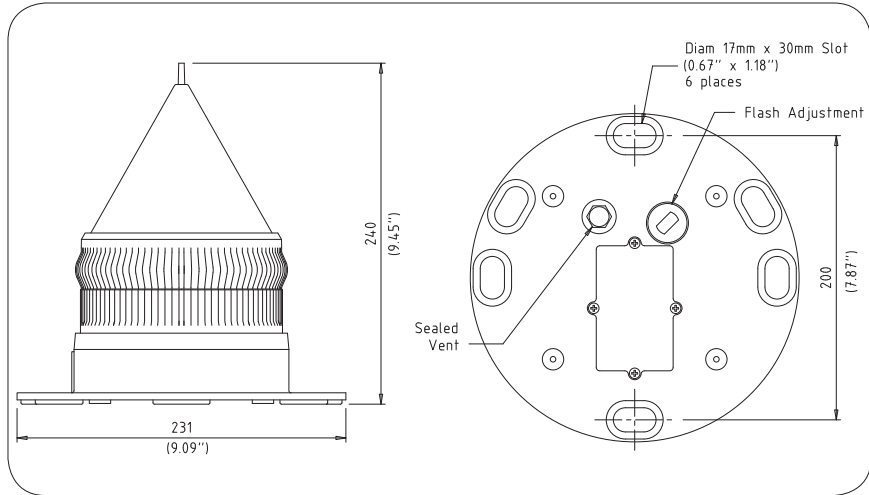
Premier Materials 7401 Central Ave NE Minneapolis, MN 55432 800-262-2275 763-785-1509 fax www.premiermaterials.com

SL70-180-R Solar 180° Bridge Light

P



User-replaceable battery



SPECIFICATIONS •

Light Characteristics

Light Source
Available colours
Peak Intensity (cd)
(colour dependent)
Visible Range (nm)
Horizontal Output (degrees)
Vertical Divergence (degrees)
Reflector Type

3 ultra-high intensity LEDs
Red (other colors available including sectored)

6.2 (steady-on)
>2.2nm (2.5 miles / 4km)
360

9
Omnidirectional 360° LED Reflector
(US Pat. No. 6,667,582. AU Pat. No. 778,918)

Available Flash Characteristics

Steady-on as standard
(>250 including steady-on (user-adjustable) available)
Adjustable in 25% increments
>100,000

Intensity Adjustments LED Life Expectancy (hours)

Electrical Characteristics

Operating Voltage (v)
Temperature Range

3.6
-40 to 80°C

Solar Characteristics

Solar Module Type
Output (watts)
Solar Module Efficiency (%)
Charging Regulation

Multicrystalline
2.5 (2 x 1.25watt)
14
Microprocessor controlled

Power Supply

Battery Type
Battery Capacity (Ah)
Nominal Voltage (v)
Autonomy (days)

High grade NiMh - Environmentally friendly
16
3.6
28 days (steady-on)

Physical Characteristics

Body Material
Lens Material
Lens Diameter (mm/inches)
Lens Design
Mounting
Height (mm/inches)
Width (mm/inches)
Mass (kg/lbs)
Product Life Expectancy

LEXAN® Polycarbonate - UV stabilized
LEXAN® Polycarbonate - UV stabilized
140 / 5½
External optics with interior flute design
6 x 17mm holes on 200mm PCD
240 / 9½
231 / 9¼
1.6 / 3½
Up to 12 years

Certifications

CE
Quality Assurance
Waterproof

EN61000-6-3:1997. EN61000-6-1:1997
ISO9001:2008
IP68

Intellectual Property

Patents
Trademarks

US Pat. No. 6,667,582. AU Pat. No. 778,918
SEALITE® is a registered trademark of Sealite Pty Ltd
3 year warranty

Warranty *

• Specifications subject to change or variation without notice
* Subject to standard terms and conditions
† Intensity setting subject to solar availability



Manufactured by Sealite